

## **EAVE & RAKE EXTENSIONS**

- DO0005 - SOFFIT PANEL ERECTION DETAIL
  - DO0010 - LOW EAVE EXTENSION
  - DO0214 - EAVE EXTENSION TERMINATION - INSET-FLUSH
  - DO0215 - EAVE EXTENSION TERMINATION - BYPASS
  - DO0310 - RAKE EXTENSION
  - DO0312 - RAKE EXTENSION TERMINATION - LOW EAVE
  - DO0314 - RAKE EXTENSION TERMINATION - HIGH EAVE
  - DO0410 - HIGH EAVE EXTENSION
  - DO0610 - SOFFIT PANEL ENDLAP
  - DO0615 - SOFFIT PANEL - RIDGE UP TO 1-12
  - DO0616 - SOFFIT PANEL - RIDGE GREATER THAN 1-12
-

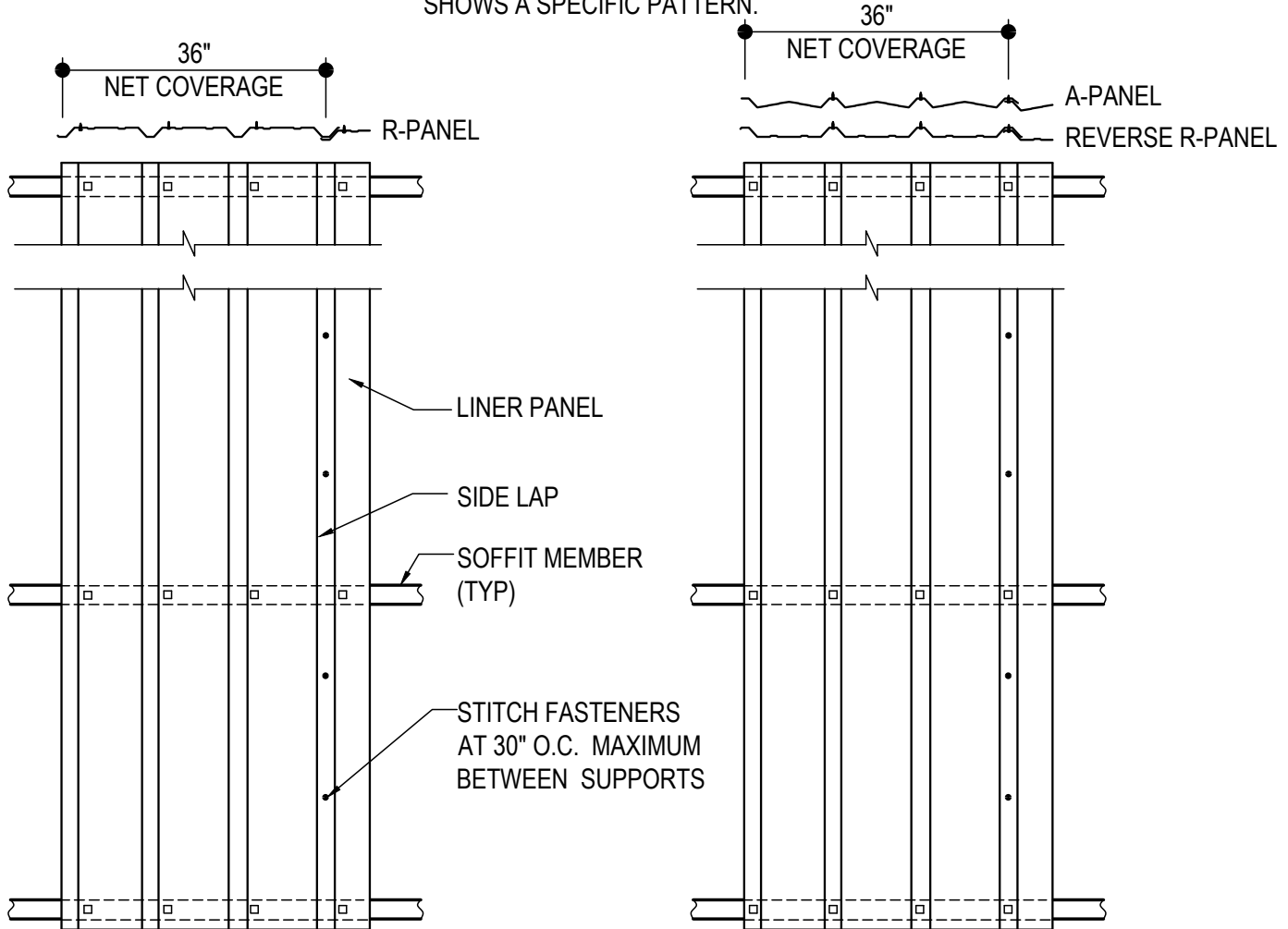
DO0005 - SOFFIT PANEL ERECTION DETAIL

[Download the DWG file by clicking here.](#)

- H1060 STITCH FASTENER
- ▣ H1040 STRUCTURAL FASTENER

**ERECTOR NOTE:**

ERECTION OF THE SOFFIT PANEL MUST BE COORDINATED PROPERLY WITH THE SOFFIT TRIM CONDITIONS AS SHOWN IN THE ERECTION DETAILS. PLACEMENT AND ORIENTATION OF THE SOFFIT PANEL MAY VARY BY CONDITION AND SUPPORT MEMBERS MAY ALSO VARY. USE THIS FASTENING PATTERN UNLESS TRIM SECTION SHOWS A SPECIFIC PATTERN.



## SOFFIT PANEL ERECTION DETAIL

**DO0005**

Detailer Notes:

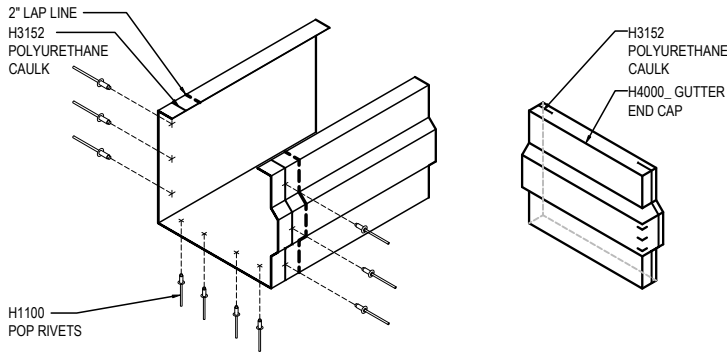
- 1) THIS DETAIL IS A DUPLICATE OF DQ0005, EO3005, EO60005, EQ3005, EQ6005 & HK0005. DUPLICATE DETAILS ARE TO ENSURE THAT THEY ARE PLACED IN ORDER IN THE ERECTION DRAWINGS.

## DO0010 - LOW EAVE EXTENSION

[Download the DWG file by clicking here.](#)

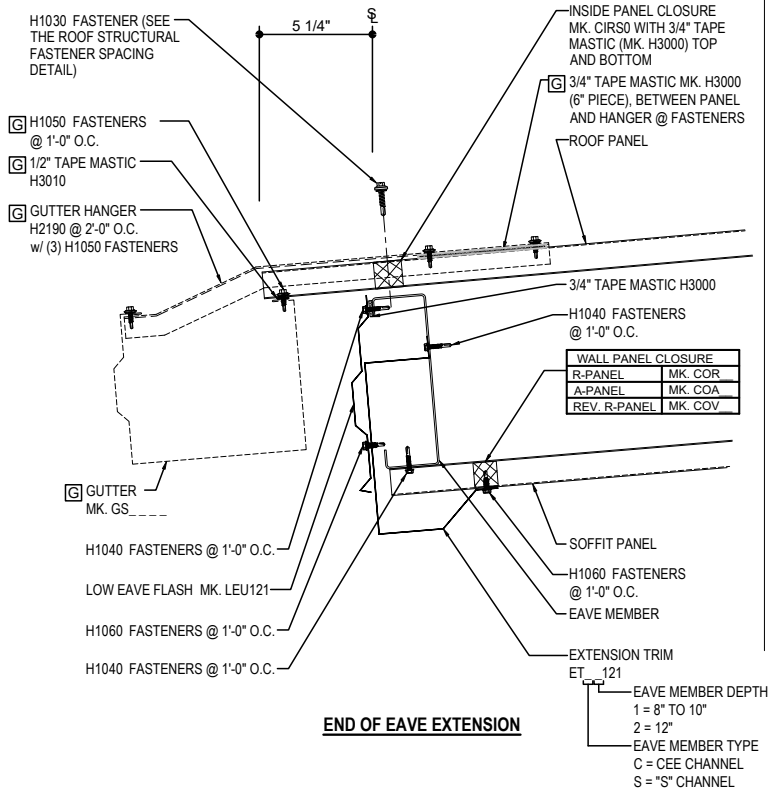
### GUTTER LAP & END CAP

APPLY BEAD OF POLYURETHANE CAULK 1" FROM END OF TRIM AND LAP SECTIONS 2" AND FASTEN AS SHOWN. TO TERMINATE THE GUTTER APPLY POLYURETHANE CAULK TO THREE SIDES OF END CAP AND TOP RETURN AREA AS SHOWN AND INSERT 1/2" INTO END OF GUTTER. ATTACH WITH RIVETS SAME AS END LAP.



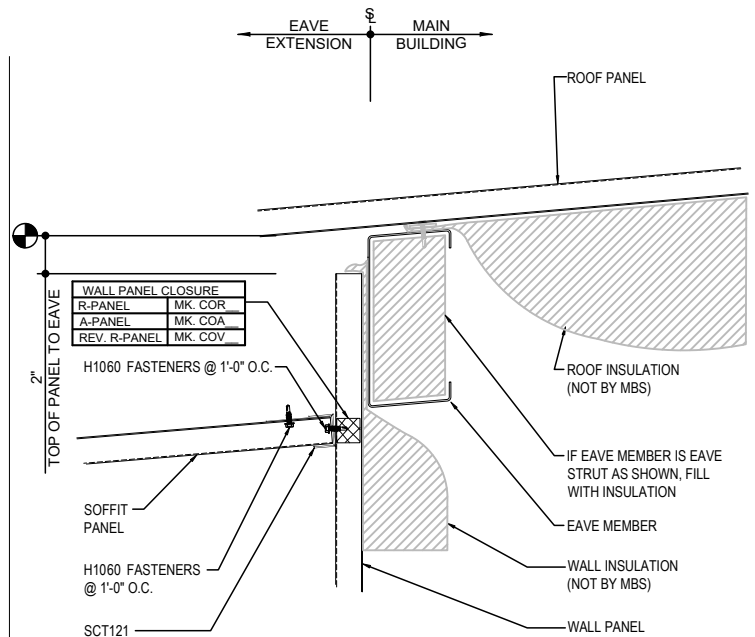
### GUTTER SHOWN IF REQ'D

☐ REQ'D ONLY  
☐ FOR GUTTER

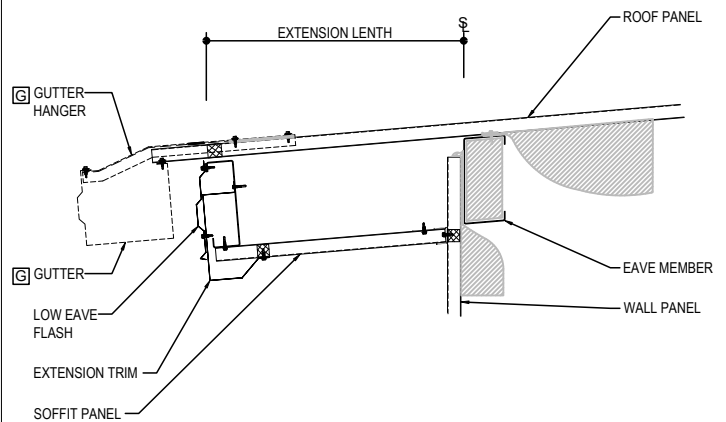


### END OF EAVE EXTENSION

EAVE MEMBER DEPTH  
1 = 8" TO 10"  
2 = 12"  
EAVE MEMBER TYPE  
C = CEE CHANNEL  
S = "S" CHANNEL



### EAVE EXTENSION SOFFIT AT BUILDING STEEL LINE



### LOW EAVE EXTENSION DETAIL

EAVE WITH OR WITHOUT GUTTER DETAIL W/ SOFFIT PANELS  
SEE WALL SHEETING ERECTION NOTES FOR WALL PANEL FASTENER LOCATIONS

**DO0010**

### Detailer Notes:

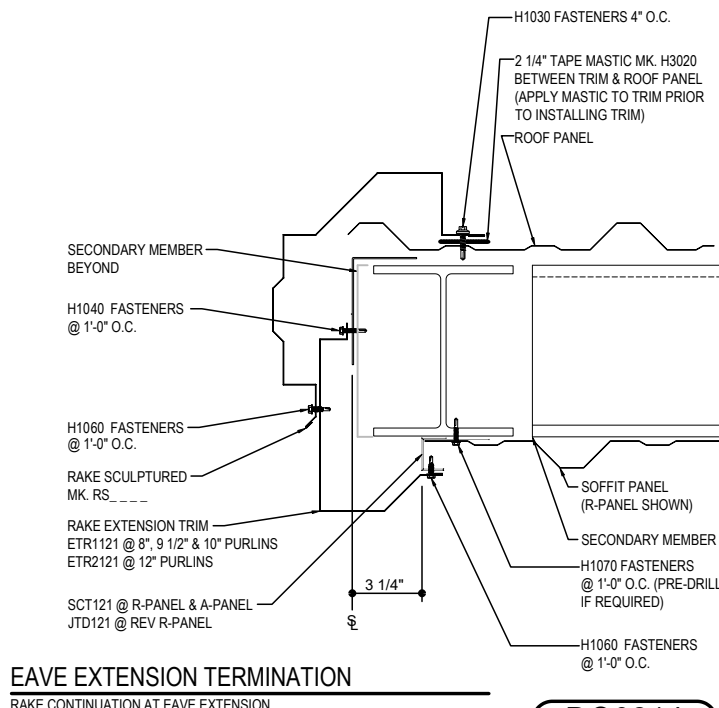
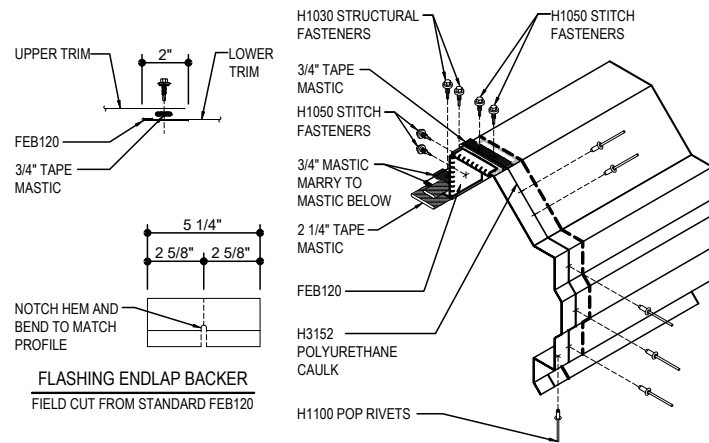
1) N/A

## DO0214 - EAVE EXTENSION TERMINATION - INSET-FLUSH

[Download the DWG file by clicking here.](#)

### RAKE LAP & FLASHING BACKER

SLIDE FIELD CUT SECTION OF FLASHING ENDLAP BACKER ONTO THE LOWER TRIM PIECE AS SHOWN BELOW. PLACE TAPE MASTIC NEXT TO HEM OF THE BACKER (NOT ON TOP OF HEM). APPLY CONTINUOUS BEAD OF CAULK 1" FROM END OF TRIM DOWN PROFILE OF TRIM. FASTEN LAP WITH STITCH FASTENERS AND POP RIVETS AS SHOWN. ROOF STRUCTURAL FASTENERS SHOULD BE USED TO FASTEN THROUGH PANEL FLAT INTO RAKE ANGLE.



**DO0214**

### Detailer Notes:

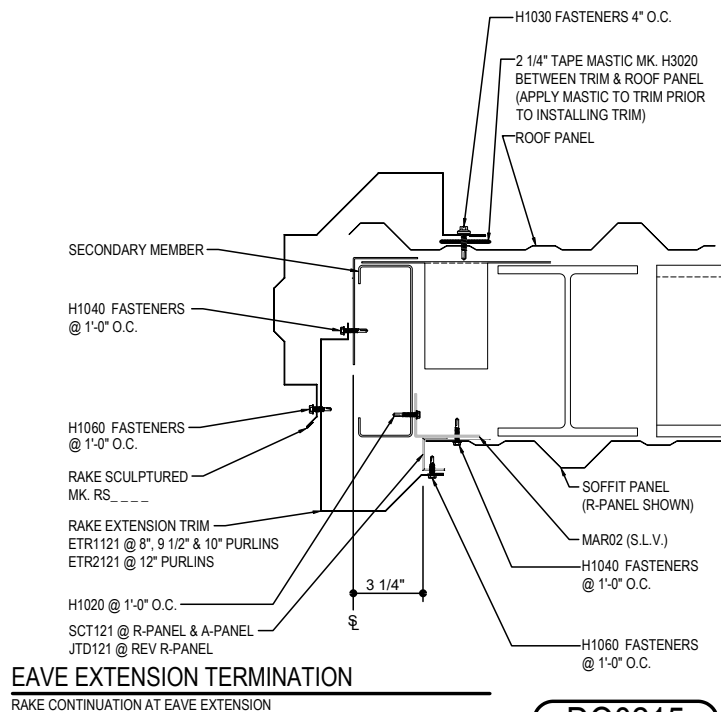
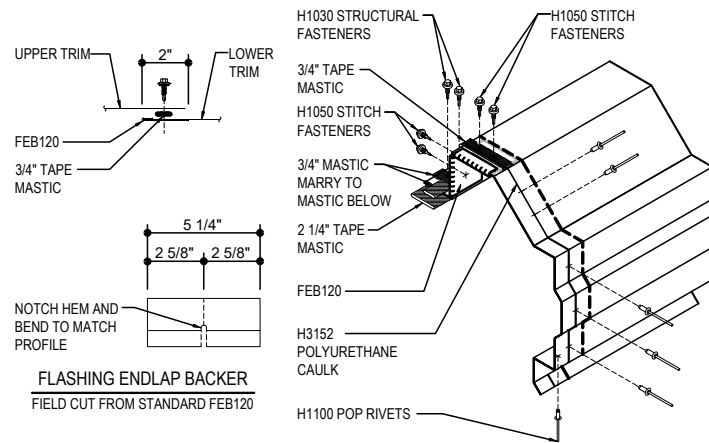
- 1) USE THIS DETAIL WITH FLUSH OR INSET ENDWALL CONDITIONS.

## DO0215 - EAVE EXTENSION TERMINATION - BYPASS

[Download the DWG file by clicking here.](#)

### RAKE LAP & FLASHING BACKER

SLIDE FIELD CUT SECTION OF FLASHING ENDLAP BACKER ONTO THE LOWER TRIM PIECE AS SHOWN BELOW. PLACE TAPE MASTIC NEXT TO HEM OF THE BACKER (NOT ON TOP OF HEM). APPLY CONTINUOUS BEAD OF CAULK 1" FROM END OF TRIM DOWN PROFILE OF TRIM. FASTEN LAP WITH STITCH FASTENERS AND POP RIVETS AS SHOWN. ROOF STRUCTURAL FASTENERS SHOULD BE USED TO FASTEN THROUGH PANEL FLAT INTO RAKE ANGLE.



DO0215

### Detailer Notes:

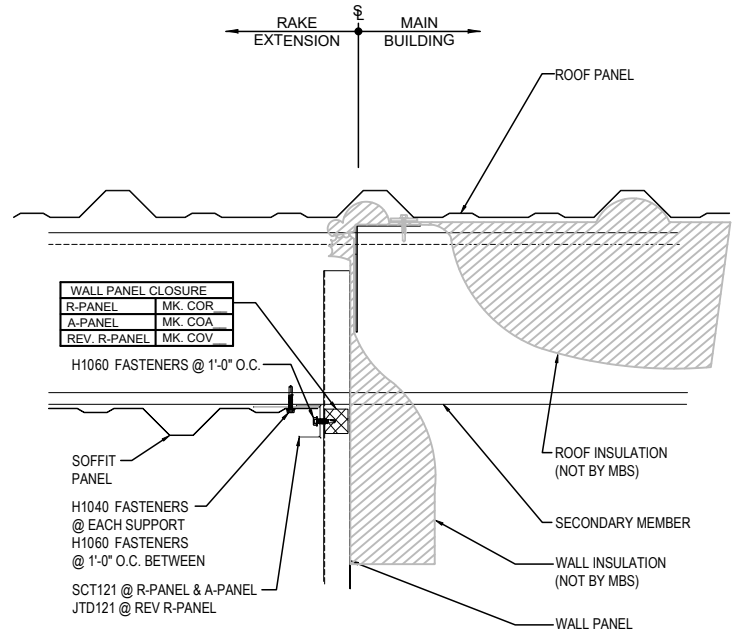
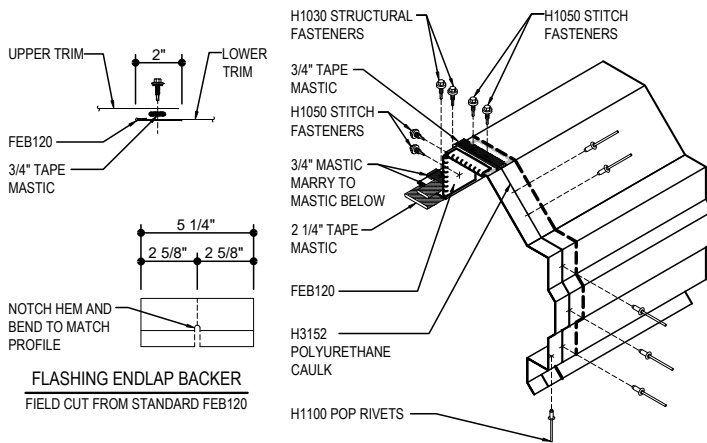
- 1) USE THIS DETAIL WITH BYPASS OR RIGID FRAME ENDWALL CONDITIONS.

## DO0310 - RAKE EXTENSION

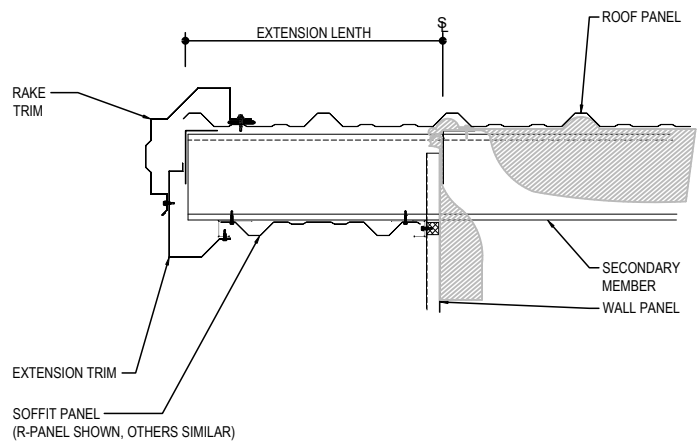
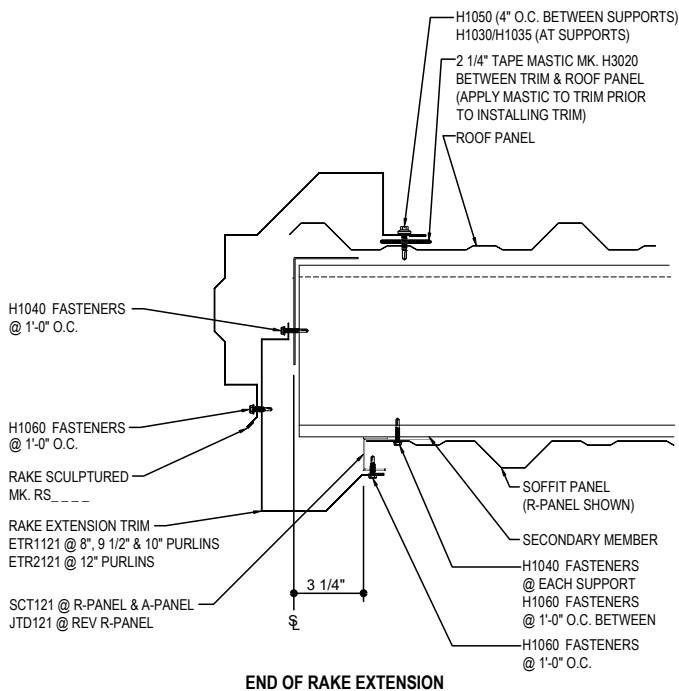
[Download the DWG file by clicking here.](#)

### RAKE LAP & FLASHING BACKER

SLIDE FIELD CUT SECTION OF FLASHING ENLAP BACKER ONTO THE LOWER TRIM PIECE AS SHOWN BELOW. PLACE TAPE MASTIC NEXT TO HEM OF THE BACKER (NOT ON TOP OF HEM). APPLY CONTINUOUS BEAD OF CAULK 1" FROM END OF TRIM DOWN PROFILE OF TRIM. FASTEN LAP WITH STITCH FASTENERS AND POP RIVETS AS SHOWN. ROOF STRUCTURAL FASTENERS SHOULD BE USED TO FASTEN THROUGH PANEL FLAT INTO RAKE ANGLE.



### RAKE EXTENSION SOFFIT AT BUILDING STEEL LINE



### RAKE EXTENSION DETAIL

RAKE DETAIL w/ SOFFIT PANELS  
SEE WALL SHEETING ERECTION NOTES FOR WALL PANEL FASTENER LOCATIONS

**DO0310**

### Detailer Notes:

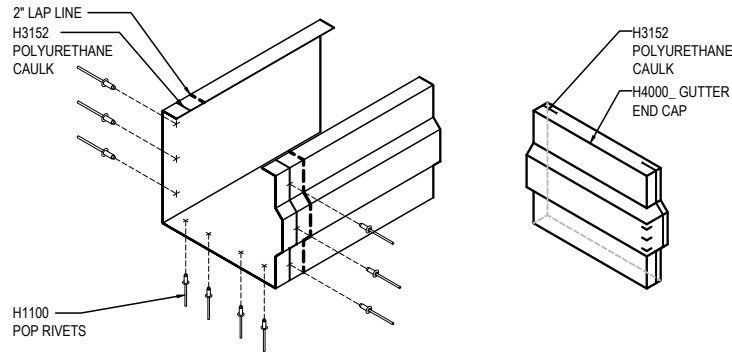
1) N/A

## DO0312 - RAKE EXTENSION TERMINATION - LOW EAVE

[Download the DWG file by clicking here.](#)

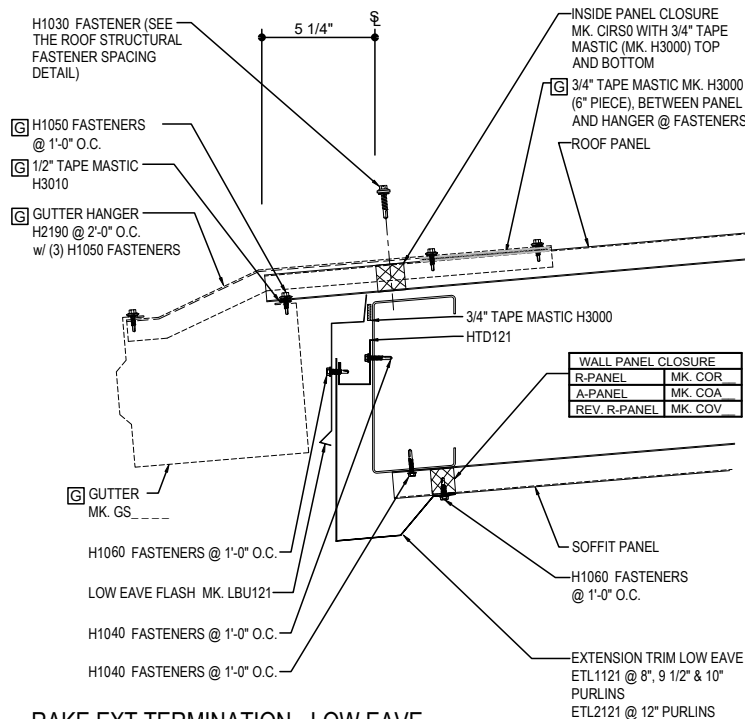
### GUTTER LAP & END CAP

APPLY BEAD OF POLYURETHANE CAULK 1" FROM END OF TRIM AND LAP SECTIONS 2" AND FASTEN AS SHOWN. TO TERMINATE THE GUTTER APPLY POLYURETHANE CAULK TO THREE SIDES OF END CAP AND TOP RETURN AREA AS SHOWN AND INSERT 1/2" INTO END OF GUTTER. ATTACH WITH RIVETS SAME AS END LAP.



### GUTTER SHOWN IF REQ'D

REQ'D ONLY  
FOR GUTTER



### RAKE EXT TERMINATION - LOW EAVE

EAVE WITH OR WITHOUT GUTTER CONTINUATION AT RAKE EXTENSION

**DO0312**

### Detailer Notes:

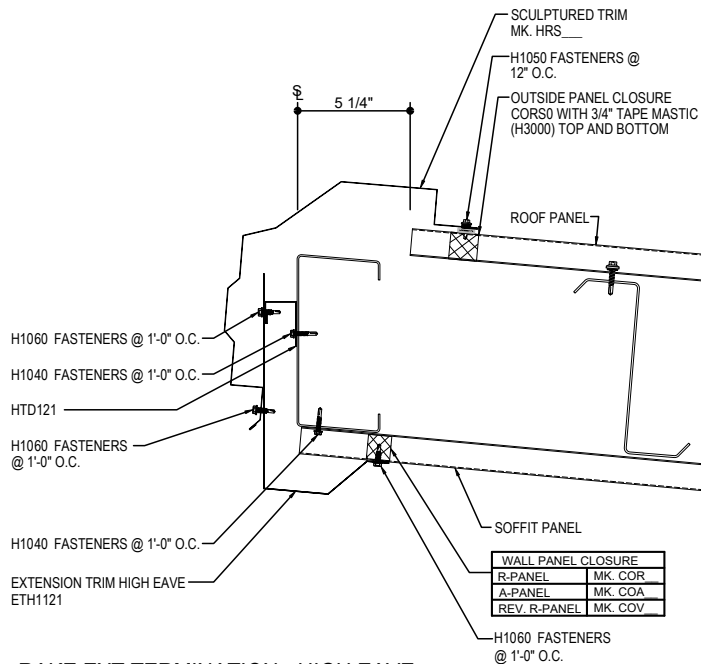
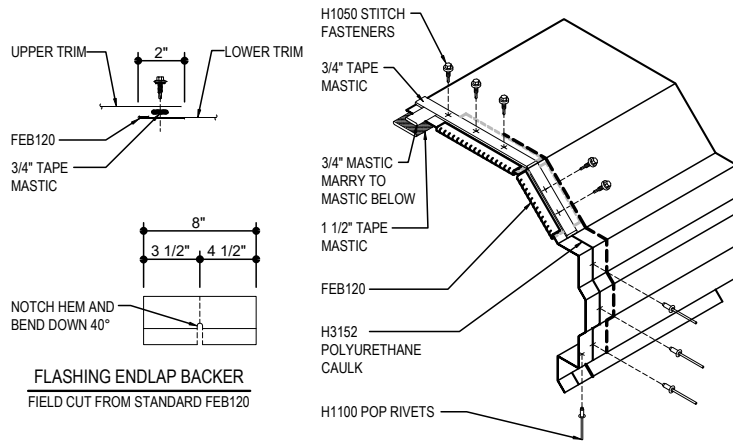
- 1) N/A

## DO0314 - RAKE EXTENSION TERMINATION - HIGH EAVE

[Download the DWG file by clicking here.](#)

### HIGH EAVE LAP & FLASHING BACKER

SLIDE FIELD CUT SECTION FLASHING ENDLAP BACKER ONTO THE LOWER TRIM PIECE. PLACE TAPE MASTIC NEXT TO HEM OF THE BACKER (NOT ON TOP OF HEM). APPLY CONTINUOUS BEAD OF CAULK 1" FROM END OF TRIM DOWN PROFILE OF TRIM. FASTEN LAP WITH STITCH FASTENERS AND POP RIVETS AS SHOWN.



DO0314

### Detailer Notes:

- 1) N/A

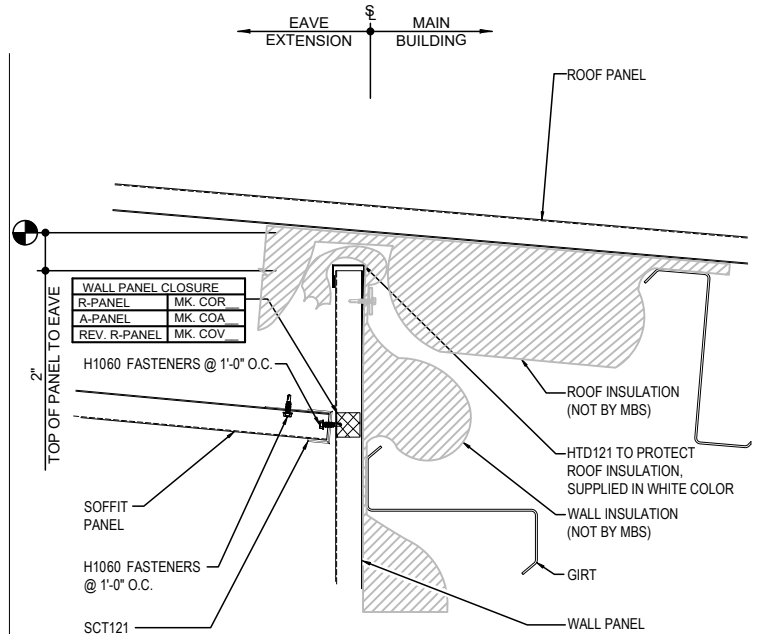
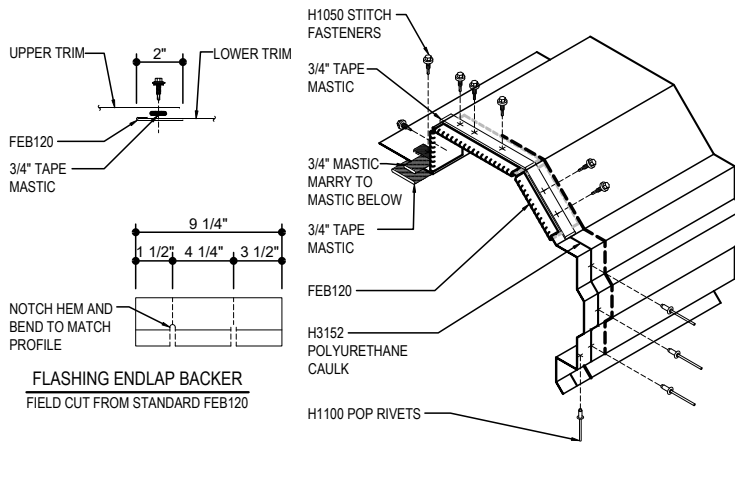


## DO0410 - HIGH EAVE EXTENSION

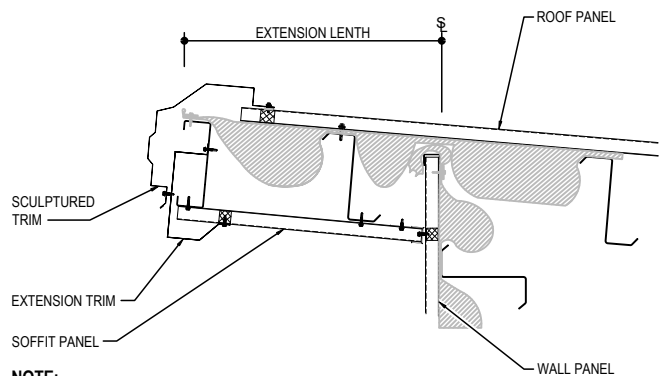
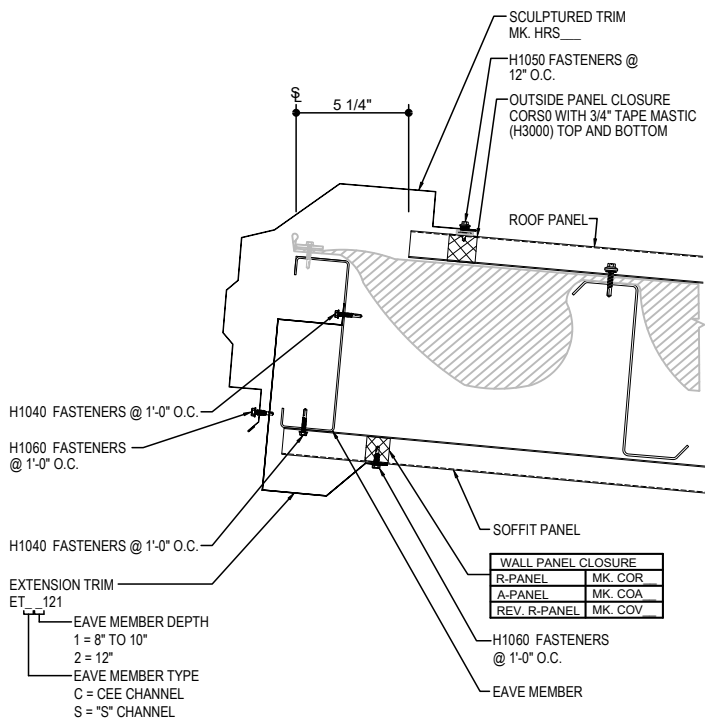
[Download the DWG file by clicking here.](#)

### HIGH EAVE LAP & FLASHING BACKER

SLIDE FIELD CUT SECTION FLASHING ENDLAP BACKER ONTO THE LOWER TRIM PIECE. PLACE TAPE MASTIC NEXT TO HEM OF THE BACKER (NOT ON TOP OF HEM). APPLY CONTINUOUS BEAD OF CAULK 1" FROM END OF TRIM DOWN PROFILE OF TRIM. FASTEN LAP WITH STITCH FASTENERS AND POP RIVETS AS SHOWN.



**EAVE EXTENSION SOFFIT AT BUILDING STEEL LINE**



**NOTE:**  
ROOF INSULATION NEEDS TO EXTEND OVER PURLINS TO PROVIDE SUPPORT UNDER PANEL AT PURLIN LOCATIONS. WALL INSULATION TERMINATION SHOWN IS A SUGGESTION BUT MAY VARY.

### HIGH EAVE EXTENSION DETAIL

HIGH EAVE DETAIL W/ SOFFIT PANELS  
SEE WALL SHEETING ERECTION NOTES FOR WALL PANEL FASTENER LOCATIONS

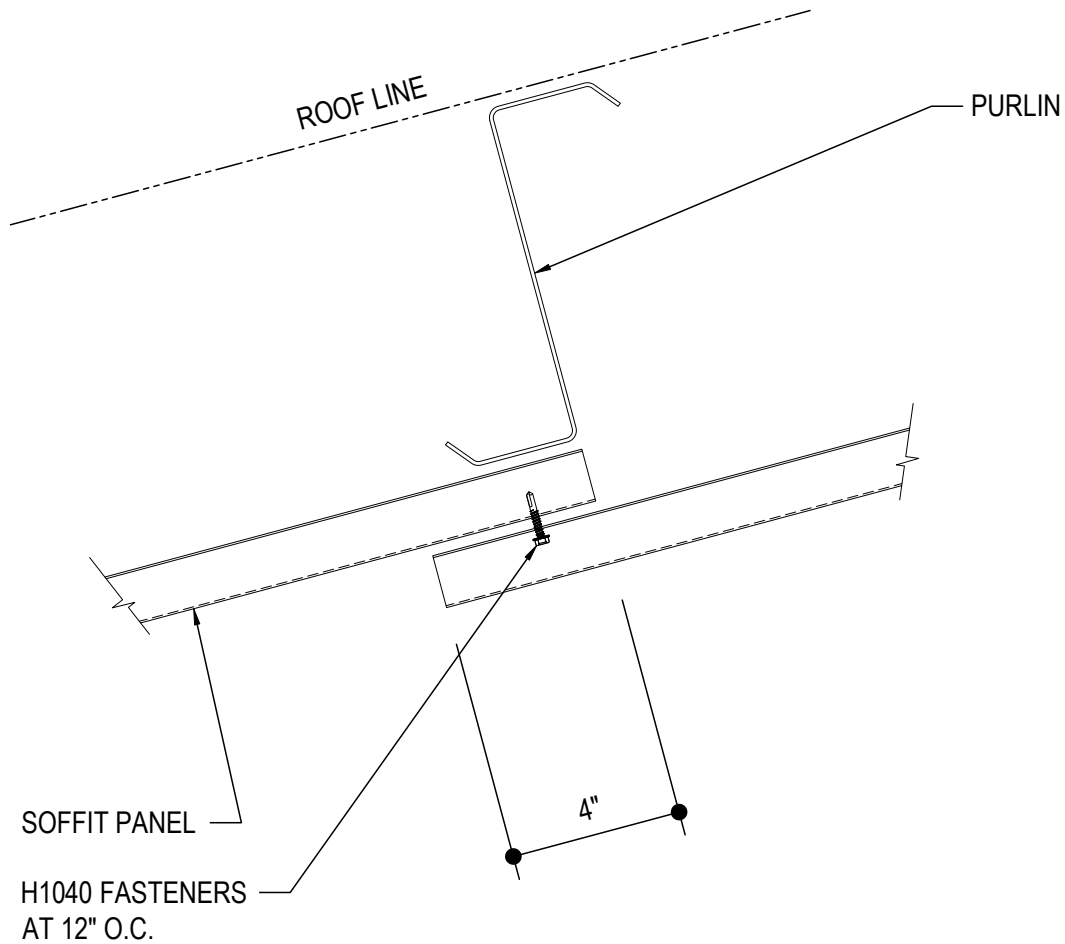
**DO0410**

### Detailer Notes:

1) EXTENSIONS BETWEEN 1'-3" AND 1'-8" - PURLIN WILL INTERFERE WITH WALL PANEL AND DETAIL WILL HAVE TO BE MODIFIED TO ADJUST WALL PANEL SET DOWN TO KEEP PURLIN AT 1'-4" FROM STEEL LINE.

DO0610 - SOFFIT PANEL ENDLAP

[Download the DWG file by clicking here.](#)



## SOFFIT PANEL ENDLAP

DO0610

Detailer Notes:

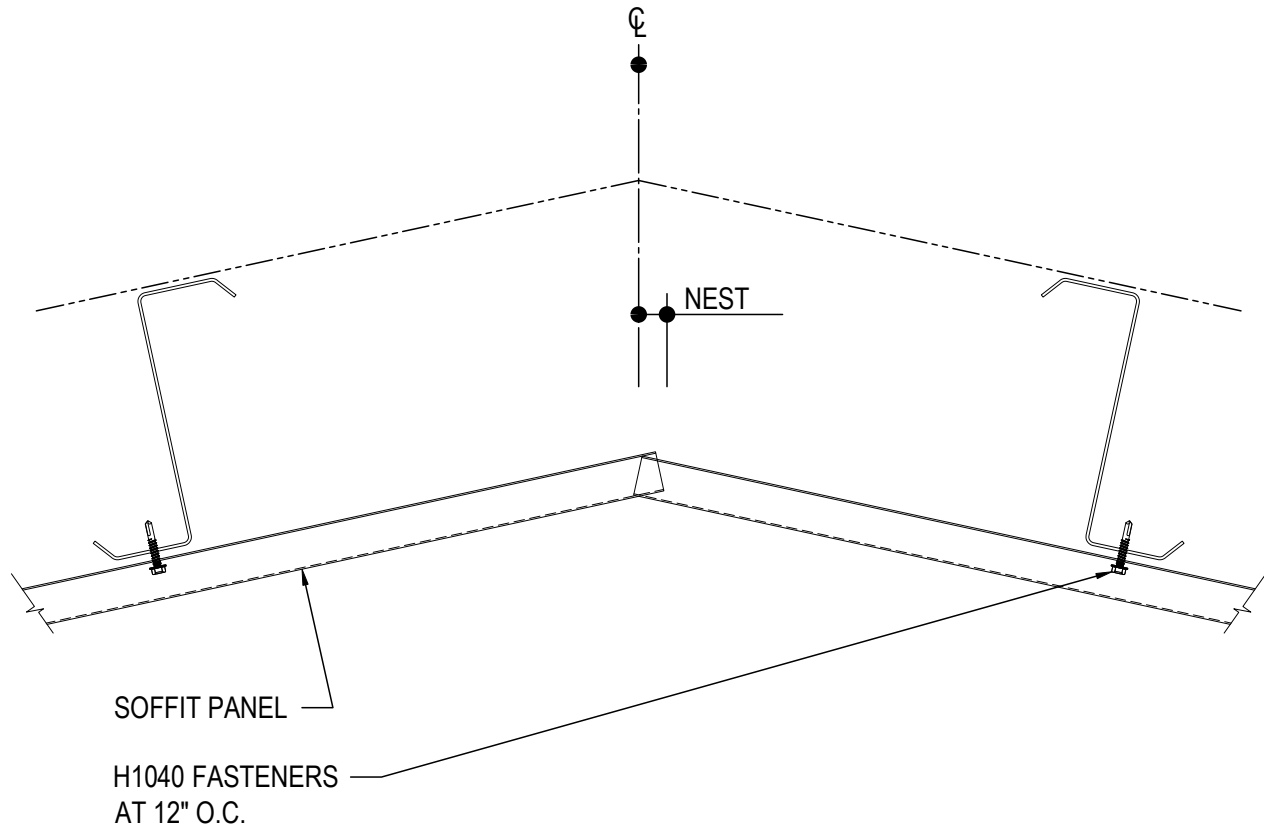
1) N/A

DO0615 - SOFFIT PANEL - RIDGE  $\leq$  1:12

[Download the DWG file by clicking here.](#)

**ERECTOR NOTE:**

EXTEND THE PANEL PAST THE CENTERLINE OF THE RIDGE ON ONE SIDE OF THE RIDGE AS SHOWN. NEST THE OTHER PANEL INTO THE PROFILE.



## SOFFIT PANEL RIDGE DETAIL

SOFFIT PANEL - SLOPES  $\leq$  1:12  
ALL STANDARD SOFFIT PANEL TYPES

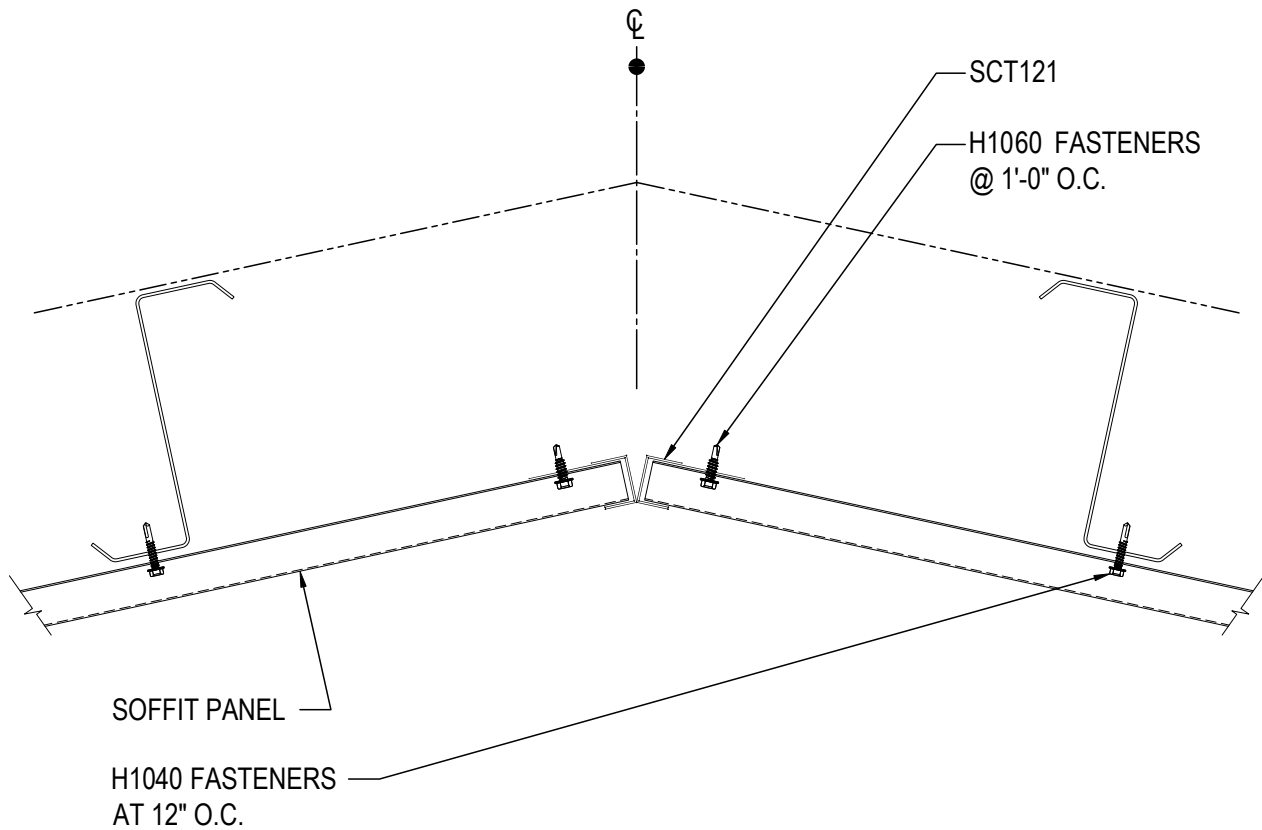
**DO0615**

Detailer Notes:

1) N/A

DO0616 - SOFFIT PANEL - RIDGE > 1:12

[Download the DWG file by clicking here.](#)



## SOFFIT PANEL RIDGE DETAIL

SOFFIT PANEL - SLOPES >1:12  
ALL STANDARD SOFFIT PANEL TYPES

**DO0616**

Detailer Notes:

1) N/A